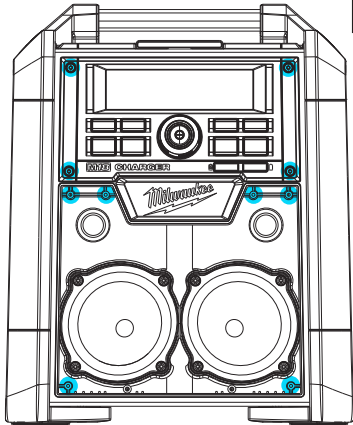




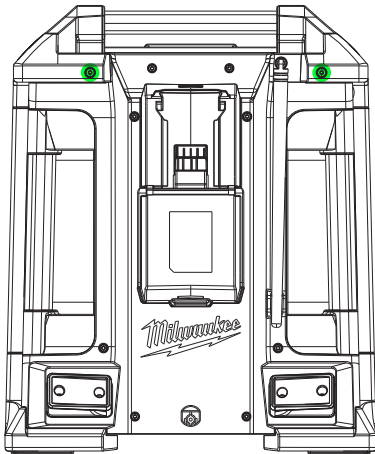
SERVICE PARTS LIST

BULLETIN NO.
54-49-0300

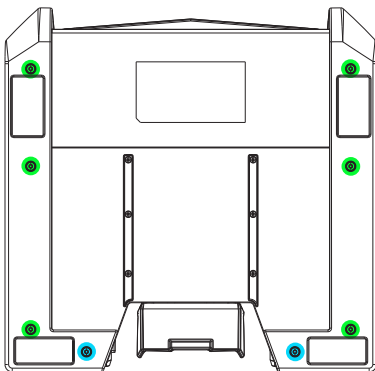
SPECIFY CATALOG NO. AND SERIAL NO. WHEN ORDERING PARTS		REVISED BULLETIN	DATE
M18™ Radio Charger			May 2022
CATALOG NO.	2792-20	SERIAL NUMBER	F69A
WIRING INSTRUCTION			



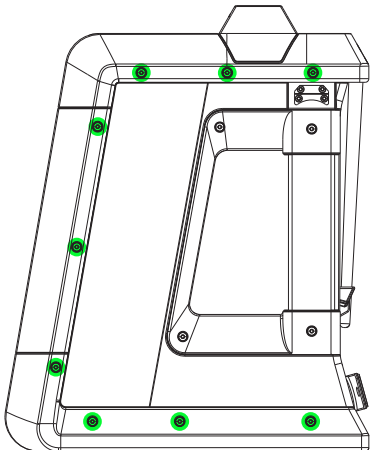
FRONT VIEW



BACK VIEW



BOTTOM VIEW



SIDE VIEW

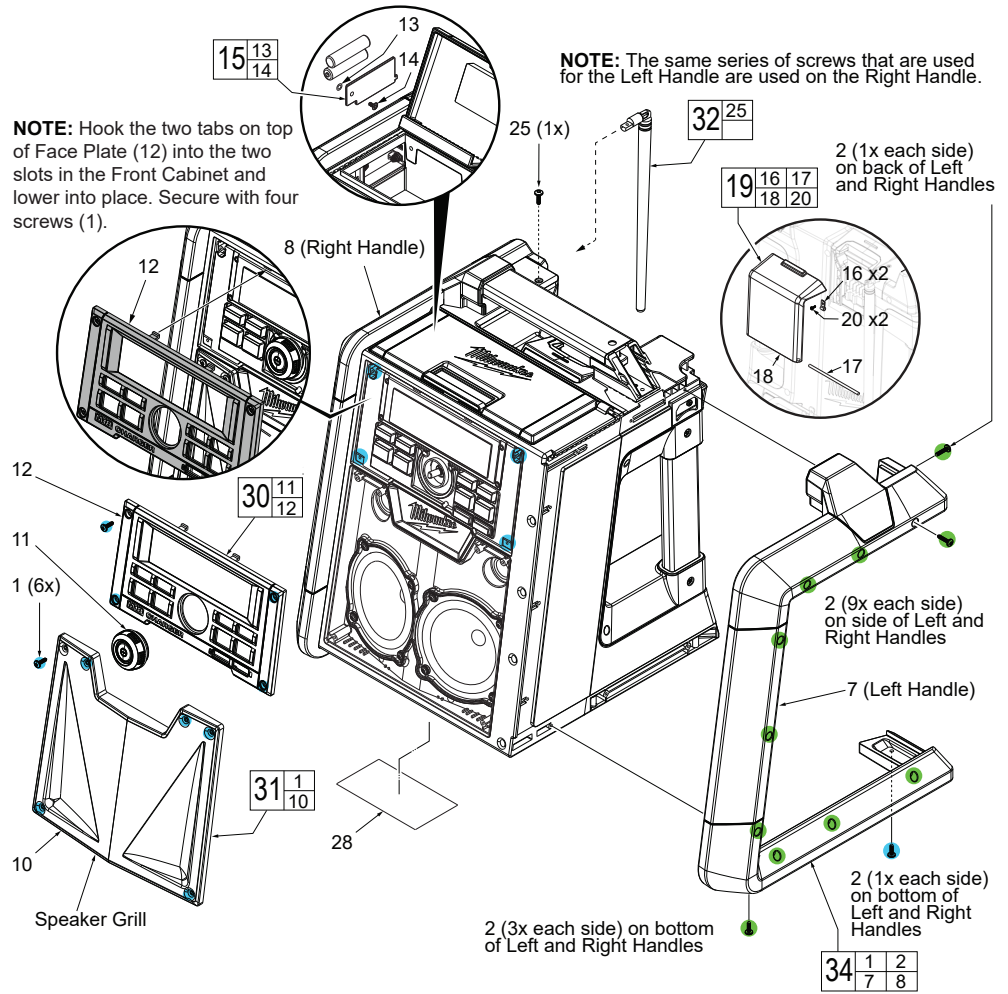


FIG.	PART NO.	DESCRIPTION OF PART	NO. REQ.
1	05-88-1735	M3 x 12mm Pan Hd. Hex	(12)
2	05-88-1750	M3 x 16mm Pan Hd. Hex	(26)
7	-----	Left Handle	(1)
8	-----	Right Handle	(1)
10	-----	Speaker Grill	(1)
11	-----	On-Off Dial	(1)
12	-----	Face Plate	(1)
13	-----	Washer	(1)
14	-----	M3 x 6 FH Screw	(1)
15	22-68-0325	Backup Battery Door Assembly	(1)
16	-----	Shaft Bracket	(2)
17	-----	Shaft	(1)
18	-----	Battery Door	(1)
19	44-81-0032	Battery Rail Cover	(1)
20	06-82-0198	M2 x 10 mm Pan Hd. Screw	(2)
25	-----	M3 x 6mm Pan Hd. Hex	(1)
28	12-20-2792	Service Nameplate	(1)
30	14-46-0875	On-Off Dial with Face Plate Kit	(1)
31	43-40-0730	Speaker Grill with Screws Kit	(1)
32	42-09-0500	FM Antenna w/ Screw Kit	(1)
34	31-44-0357	Left / Right Handle Kit	(1)

FIG.	PART NO.	DESCRIPTION OF PART	NO. REQ.
1	05-88-1735	M3 x 12mm Pan Hd. Hex	(12)
2	05-88-1750	M3 x 16mm Pan Hd. Hex	(26)