



SERVICE PARTS LIST

BULLETIN NO.
54-07-3515

SPECIFY CATALOG NO. AND SERIAL NO. WHEN ORDERING PARTS		REVISED BULLETIN	DATE
REDLITHIUM® USB Cross Line Laser			Jan. 2022
CATALOG NO.	3521-20	STARTING SERIAL NO.	L40A
WIRING INSTRUCTION			

Service needs pertaining to accuracy or calibration can only be performed at Milwaukee Authorized Repair Centers:
MILWAUKEE ELECTRIC TOOL central repair 1401 Sycamore Ave. Greenwood, MS 38930-7277 OR
 Via e-Service at: www.milwaukeetool.com/e-service. Questions, please call 1.800.SAWDUST
 OR
 Return it to a MILWAUKEE FACTORY SERVICE CENTER location, freight prepaid and insured. A copy of the proof of purchase should be included with the return product."

EXAMPLE:
 00 0 Component Parts (Small #)
 Are Included When Ordering
 The Assembly (Large #).

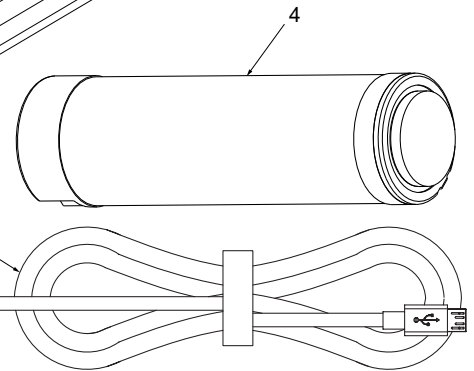
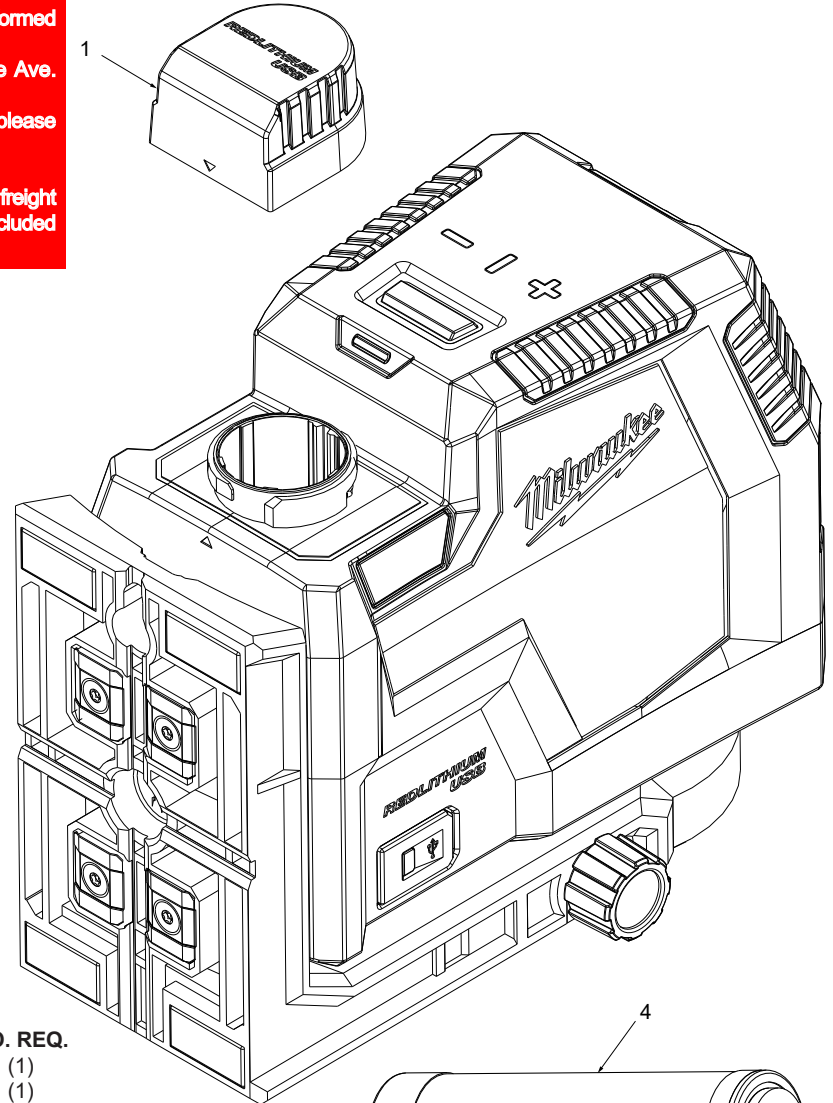


FIG.	PART NO.	DESCRIPTION OF PART	NO. REQ.
1	42-92-0118	Battery Cap	(1)
2	42-55-0209	BMC	(1)
3	12-20-3521	Service Nameplate (Not Shown)	(1)
4	48-11-2131	REDLITHIUM® USB 3.0AH Battery (Optional)	(1)
5	48-59-1202	Wall Plug and 3 ft. USB Cable (Optional)	(1)

FIG. 3 NOTES
 3 A clean, dry surface is essential for proper performance for any adhesive system. The area intended for application of any adhesive label or nameplate must be prepared by cleaning with isopropyl alcohol. The solvent is to be applied with a clean, lint free applicator and the surface allowed to dry before applying the label or nameplate.